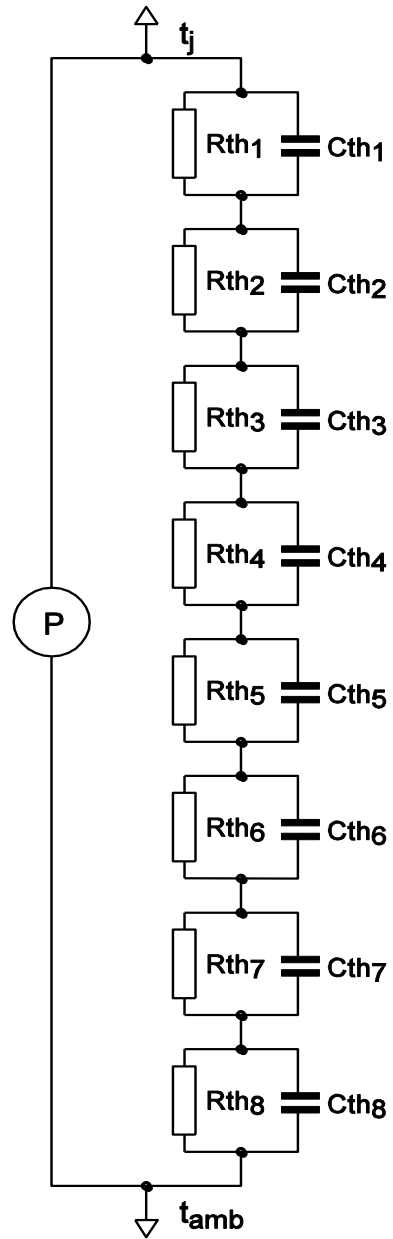


SPICE thermal model

PSMN5R0-30YL

Symbol	Parameter	Conditions	Min	Typ	Max	Unit
$R_{th(j-mb)}$	thermal resistance from junction to mounting base		-	-	2.00	K/W

C_{th1}	1.858E-05 F
C_{th2}	8.466E-05 F
C_{th3}	2.486E-04 F
C_{th4}	1.014E-03 F
C_{th5}	2.305E-03 F
C_{th6}	1.614E-02 F
C_{th7}	6.607E-02 F
C_{th8}	1.199E+01 F
R_{th1}	5.097E-03 Ω
R_{th2}	1.228E-02 Ω
R_{th3}	3.904E-02 Ω
R_{th4}	1.089E-01 Ω
R_{th5}	3.852E-01 Ω
R_{th6}	7.032E-01 Ω
R_{th7}	7.333E-01 Ω
R_{th8}	1.295E-02 Ω



001aal768

Part: PSMN5R0-30YL
 Date: 18/11/2015
 Model Rth 2.00 K/W